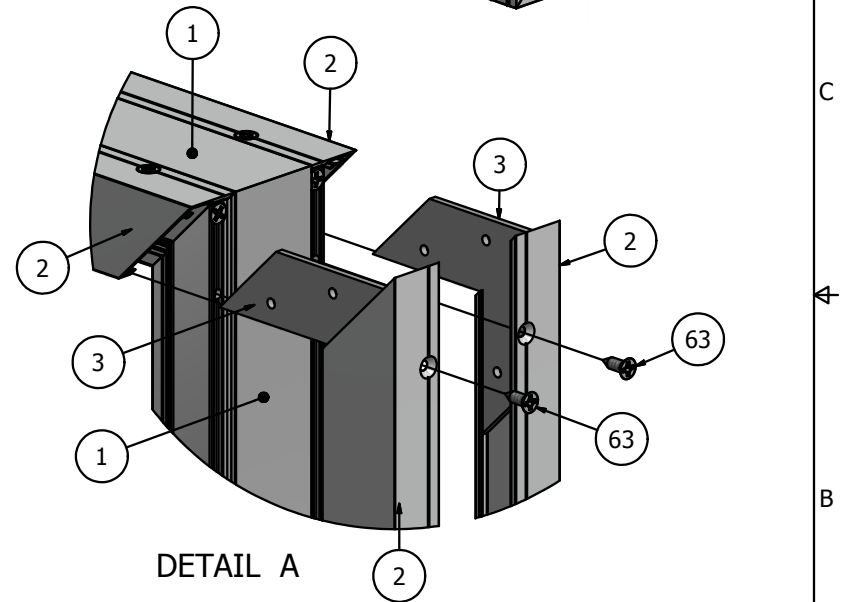
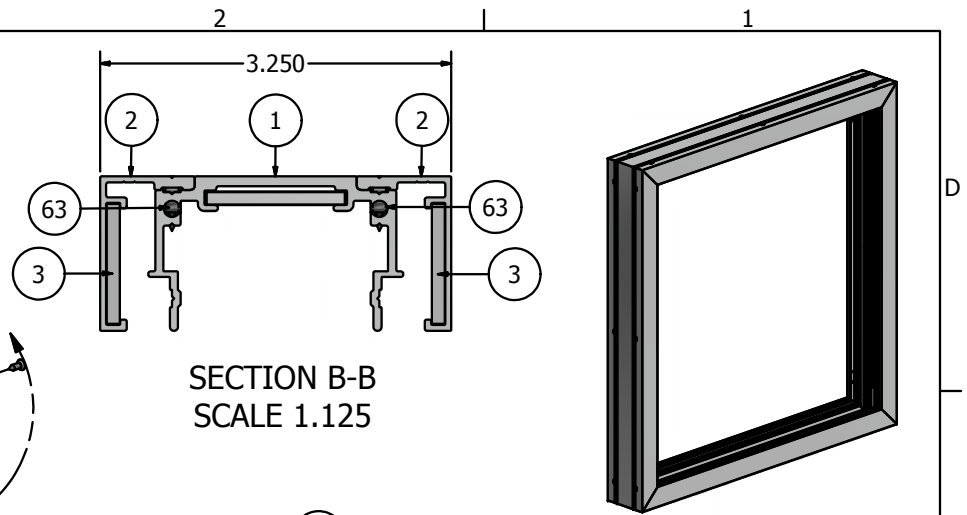
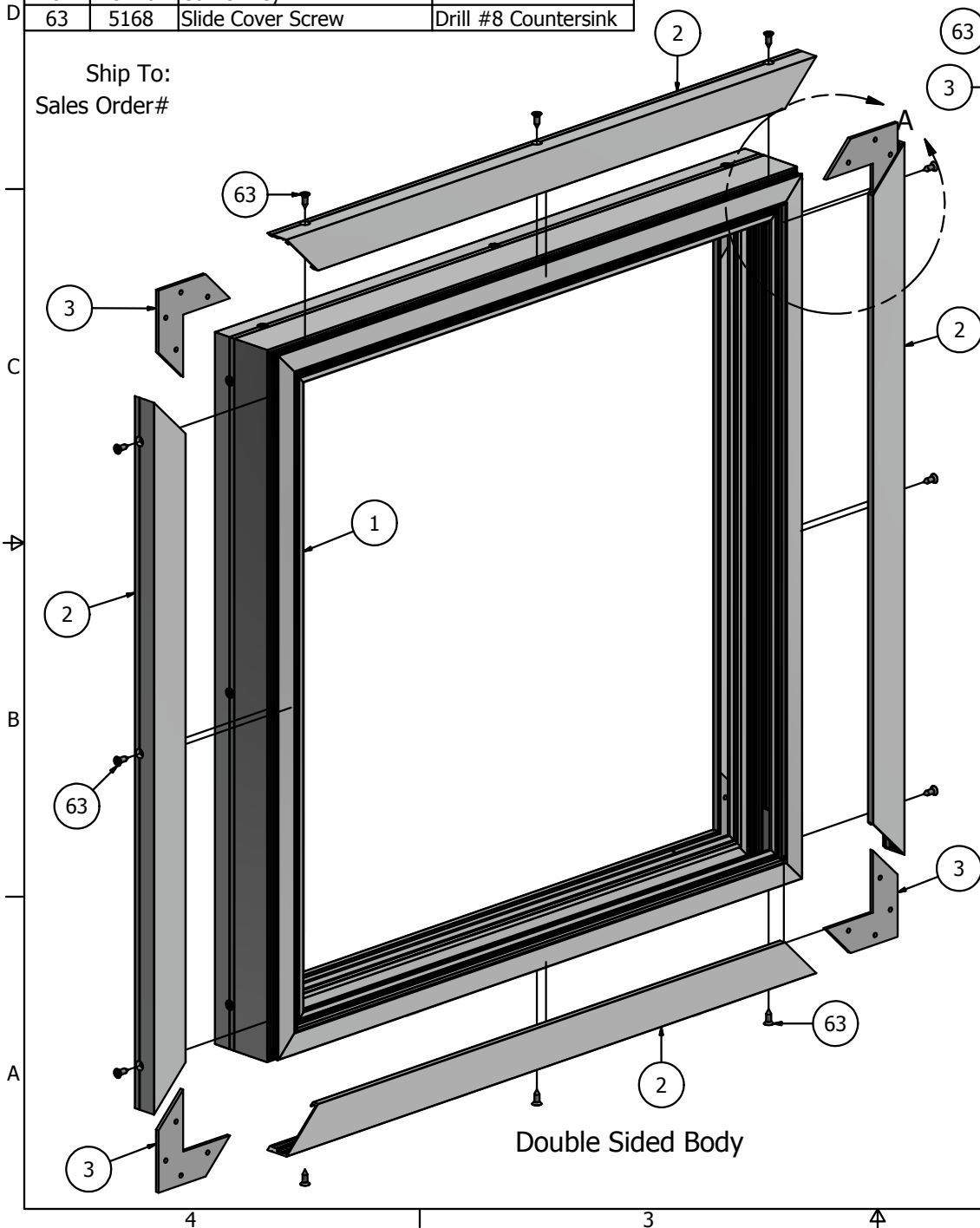


| PARTS LIST | | | |
|------------|-------|----------------------|----------------------|
| ITEM | PART# | DESCRIPTION | NOTES |
| 1 | 1290 | Series 3 Access Body | Assembly |
| 2 | 1694 | Slide Cover | |
| 3 | 5210 | Corner Key | |
| 63 | 5168 | Slide Cover Screw | Drill #8 Countersink |

Ship To:
Sales Order#



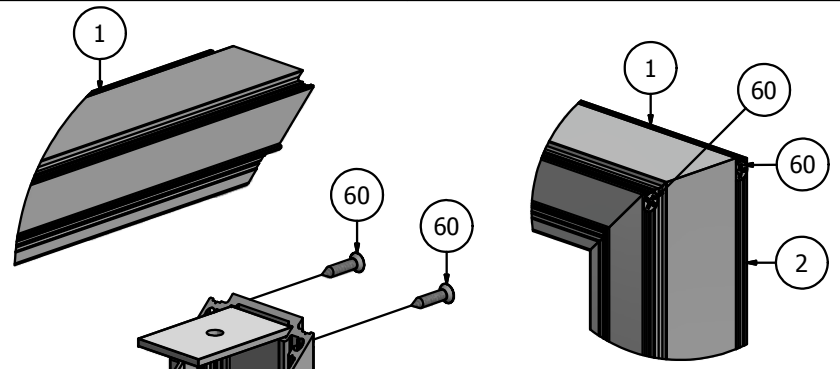
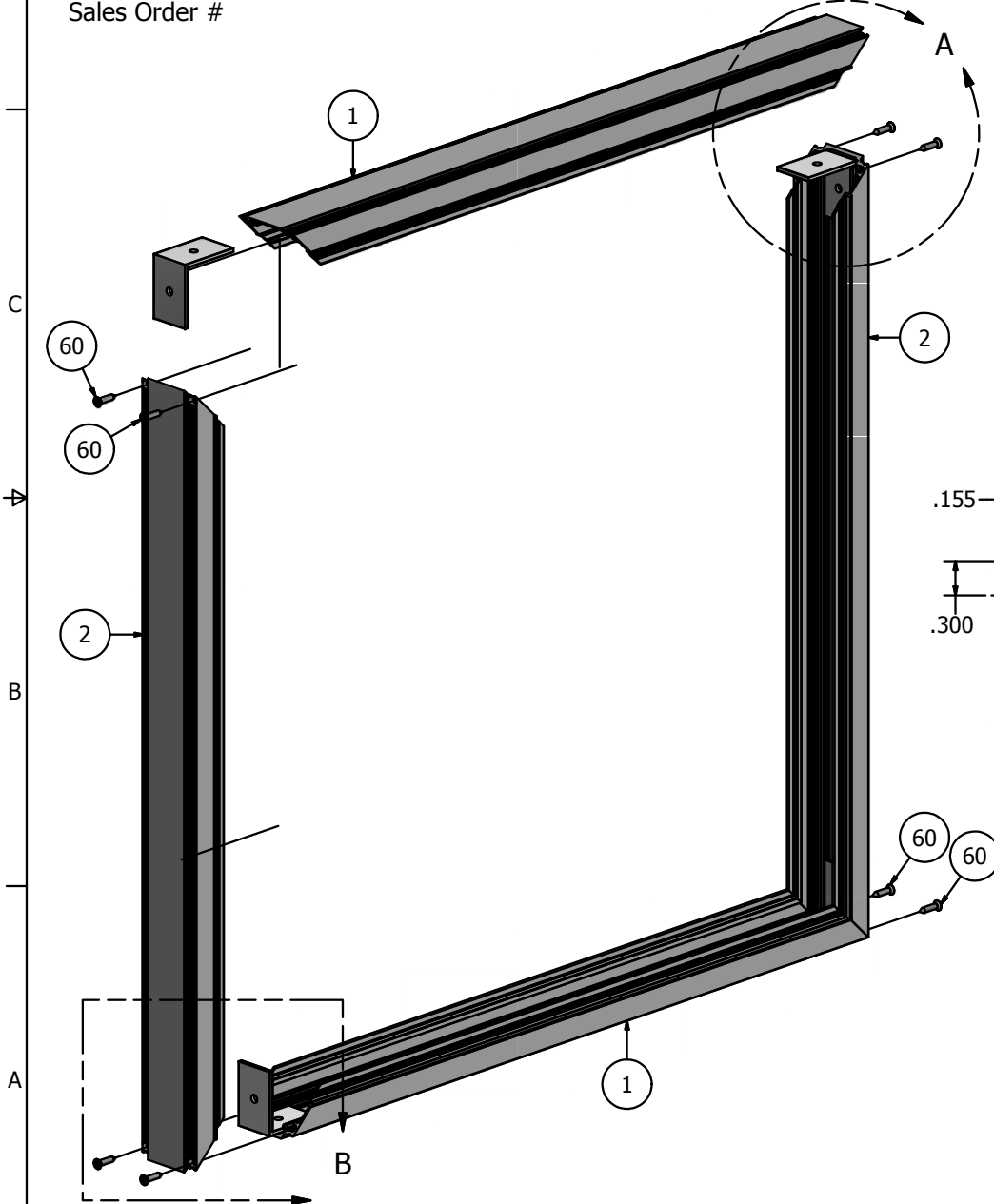
NOTE: PRE-CUT KITS ARE NOT PRE-DRILLED.
(Holes shown in this drawing are for reference only.
Drilling of pilot holes are to be done by fabricator.)

THIS DRAWING WAS CREATED AT NO CHARGE TO ASSIST YOU IN VISUALIZING OUR PROPOSAL. THE DRAWING HEREIN IS THE PROPERTY OF SIGNCOMP. PERMISSION TO COPY OR REVISE THIS DRAWING OR TO USE THIS DRAWING FOR PRODUCTION IS STRICTLY PROHIBITED AND CAN ONLY BE COPIED, REVISED OR USED FOR PRODUCTION WITH THE EXPRESSED WRITTEN PERMISSION OF SIGNCOMP.

| | | | |
|-----------------------|-----------------------|----------|--|
| DRAWN | SBreihof | 9/7/2012 | SignComp |
| Centroid X: | 0.000 in | | |
| Centroid Y: | 0.000 in | | TITLE |
| Principal Moments Ix: | 0.000 in ⁴ | | Series 3 - Access Body w/ Slide Cover - Assembly |
| Principal Moments Iy: | 0.000 in ⁴ | | DWG NO |
| Section Modulus Ix: | 0.000 in ³ | | K1290/94 |
| Section Modulus Iy: | 0.000 in ³ | | REV |

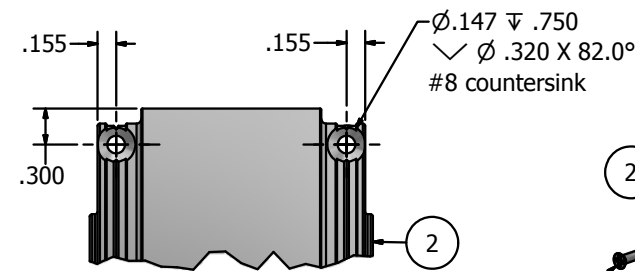
| PARTS LIST | | | |
|------------|-------|-----------------------------------|-------------------------|
| ITEM | PART# | DESCRIPTION | NOTES |
| 1 | 1290 | Series 3 Access Body | Top & Bottom |
| 2 | 1290 | Series 3 Access Body | Sides |
| 60 | 5241 | Access Body Corner Screw | See Hole Detail |
| 6 | 5339 | Series 3 Access Body Corner Angle | One (1) per body corner |

Ship To:
Sales Order #

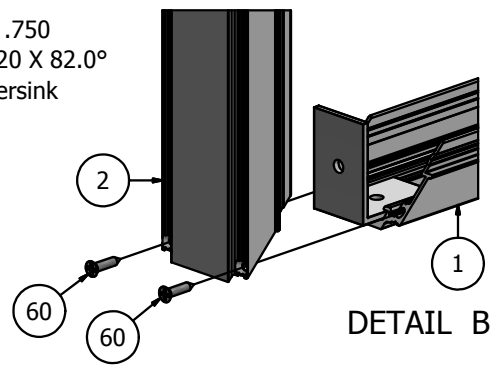


DETAIL A-1

DETAIL A-2



HOLE DETAIL
DRILLED BY OTHER



DETAIL B

NOTE: PRE-CUT KITS ARE NOT PRE-DRILLED.
(Holes shown in this drawing are for reference only.
Drilling of pilot holes are to be done by fabricator.)

| | | |
|---|-----------------------|------------------------|
| THIS DRAWING WAS CREATED AT NO CHARGE TO ASSIST YOU IN VISUALIZING OUR PROPOSAL. THE DRAWING HEREIN IS THE PROPERTY OF SIGNCOMP. PERMISSION TO COPY OR REVISE THIS DRAWING OR TO USE THIS DRAWING FOR PRODUCTION IS STRICTLY PROHIBITED AND CAN ONLY BE COPIED, REVISED OR USED FOR PRODUCTION WITH THE EXPRESSED WRITTEN PERMISSION OF SIGNCOMP. | | |
| DRAWN | SBreihof | 9/7/2012 |
| Centroid X: | 0.000 in | |
| Centroid Y: | 0.000 in | |
| Principal Moments Ix: | 0.000 in ⁴ | |
| Principal Moments Iy: | 0.000 in ⁴ | |
| Section Modulus Ix: | 0.000 in ³ | |
| Section Modulus Iy: | 0.000 in ³ | |
| <div style="text-align: center;">SignComp</div> | | TITLE |
| | | Series 3 - Access Body |
| DWG NO | | REV |
| K1290 | | |
| SHEET 1 OF 1 | | |